

NATIONAL DESIGNATED ENTITY (NDE) OF INDONESIA

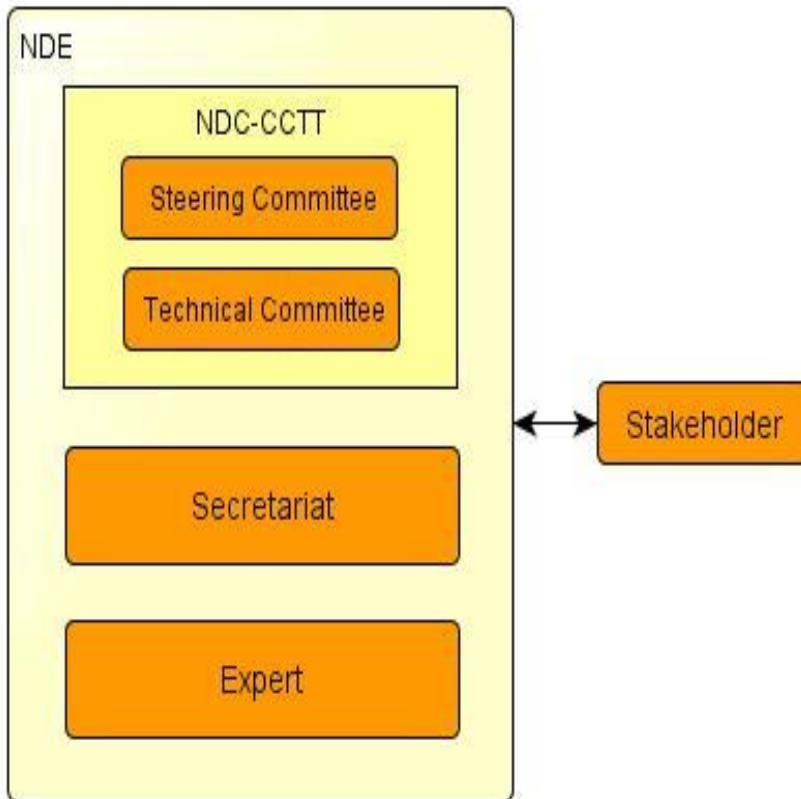
Dr. Widiatmini Sih Winanti

Regional Networking Meeting for National
Designated Entities

30 April 2015

United Nations Convention Center (UNCC) Bangkok,
Thailand

- Indonesia has been established NDE as a focal point technology transfer in Indonesia collaboration with CTCN under UNFCCC framework since 2013.
- Focal point NDE was under the National Council on Climate Change (NCCC).
- Operational NDE and its secretariat is collaborated with Agency for the Assessment and Application of Technology (BPPT).
- NDE Focal Point is now under transition.



National Designated Committee – Climate Change Technology Transfer (NDC-CCTT)

- Steering Committee
- Technical Committee

NDC-CCTT Secretariat

The NDC-CCTT Secretariat is responsible to support the work of NDE. NDC-CCTT Secretariat working under purview of the National Council on Climate Change (NCCC) of Indonesia in collaboration with Agency for the Assessment and Application of Technology (BPPT)

Experts

The expert assist the technical committee if required by technical committee through the secretariat, to provide additional evaluation on the project and a second opinion on the technical committee evaluation.

Stakeholder

Relevant Stakeholder invited for stakeholder consultations during the technical committee meeting. Stakeholder consist of representative of relevant ministries, private sector, industry associations, NGO, research institutions, university and other UNFCCC institutions.

Membership of National Designated Committee - Climate Change Technology Transfer (NDC-CCTT)

Advisory board:

Executive Chairman of the NCCC

Steering Committee:

- Chairman: Head of Agency for the Assessment and Application of Technology
- Vice Chairman: Chairman of the Technology Transfer Working Group, NCCC

Members:

Deputy Minister of:

- Coordinating Ministry for People's Welfare
- Ministry of Environment
- Ministry of Energy and Mineral Resources
- Ministry of Forestry
- Ministry of Agriculture
- Ministry of Industry
- Ministry of Transportation

Membership of Technical Committee

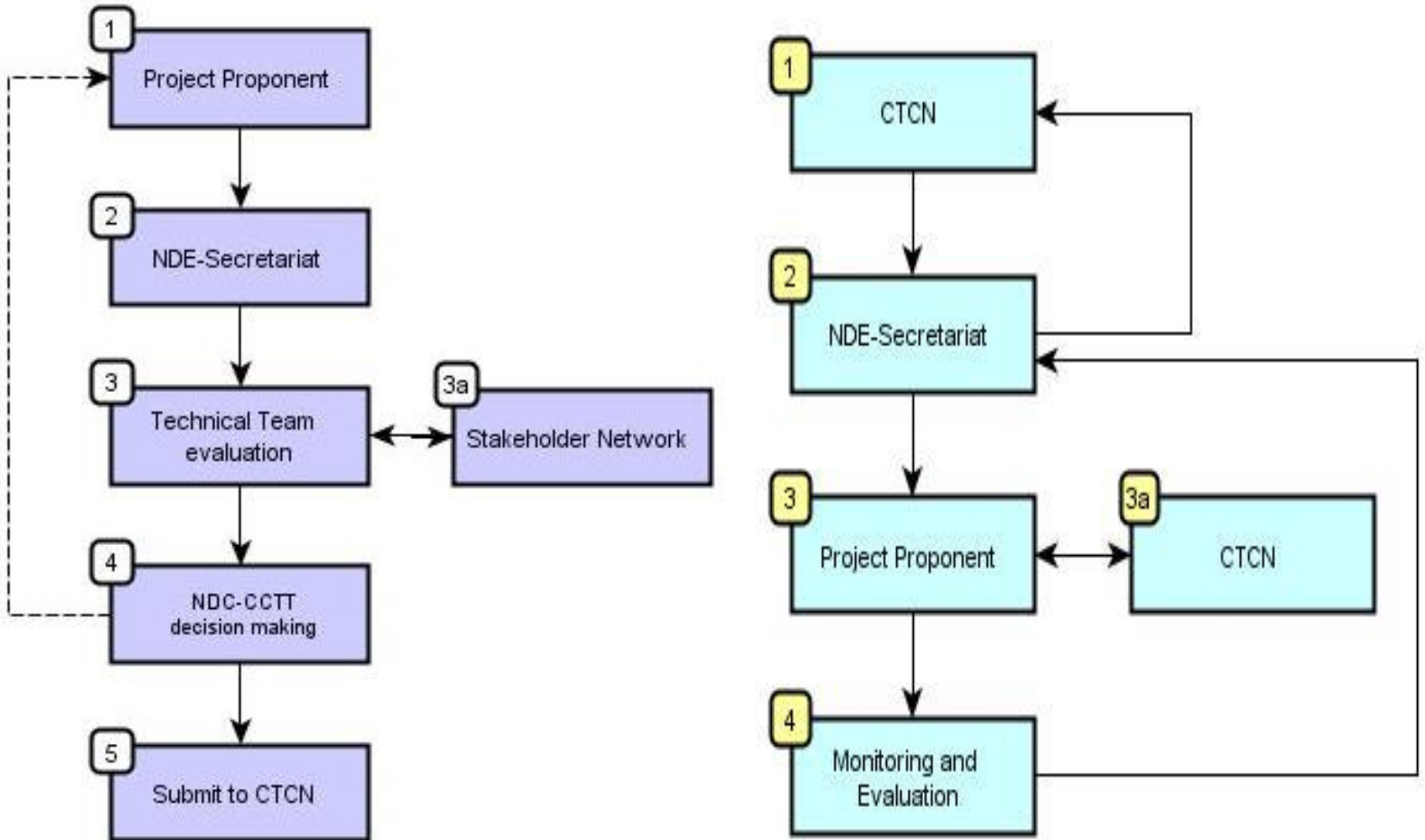
- Chairman: Deputy for Natural Resources Development Technology, Agency for the Assessment and Application of Technology
- Vice Chairman: Vice Chairman of the Technology Transfer Working Group, NCCC

Members:

Representative from:

- Ministry of Environment
- Ministry of Energy and Mineral Resources
- Ministry of Forestry
- Ministry of Agriculture
- Ministry of Industry
- Ministry of Marine Affairs and Fisheries
- Ministry of Research and Technology
- Ministry of Transportation
- Ministry of Public Works
- Agency for the Assessment and Application of Technology
- Meteorological, Climatological and Geophysical Agency
- Academia
- NGOs

Workflow of Indonesia NDE



Criteria of Proposal to CTCN

1. Based on TNA (*Technology Needs Assessment*)
2010 and 2012 priority or other priority
2. Accordance with the National or Sector priority
and policy
3. Contribute with the sustainable and low
carbon development
4. Support Technological Independence of
Indonesia

Strategy of Technology Transfer Implementation

Implementation of Technology Transfer

Empowering Policy and Regulation

- Required policies and regulations that support the implementation, locally and nationally

Technology transfer arrangements

Financial Mechanism

- Developing of financial schemes
- Involving financial institutions
- Access to domestic and international financial sources

Technology Support

- Mapping existing condition
- Knowledge transfer (technology, design, installation, operational and monitoring)
- Innovation (R&D, difution, deployment, transfer technology)
- Laboratorium (testing, standaritation and certification)

Demonstration Project

- Lesson learn for implementation and capacity building to local expert on design, installation, operational and monitoring.

Institutional Supports

- Institution for standarization and certification
- Collaboration and coordination between national and international stakeholder

Proposal Submitted from Indonesia

Proposal submitted to CTCN, as follow:

- Integrated River and Coastal Management toward Sustainable Giant Sea Wall Technology in Jakarta
- Development of Anaerobic Digester Technology for Palm Oil Empty Fruit Bunch (EFB) in Indonesia
- Development of the Ciliwung Watershed Management
- Development of Ocean Current Energy in Seram, Maluku
- Development of Integrated Carbon Measurements Methodology on Peat lands in Indonesia



CTCN has been accepted 2 proposal from Indonesia

Benefit of Transfer Technology for Developed and Developing partners

Benefit of Technology Transfer

Technology Transfer Benefit

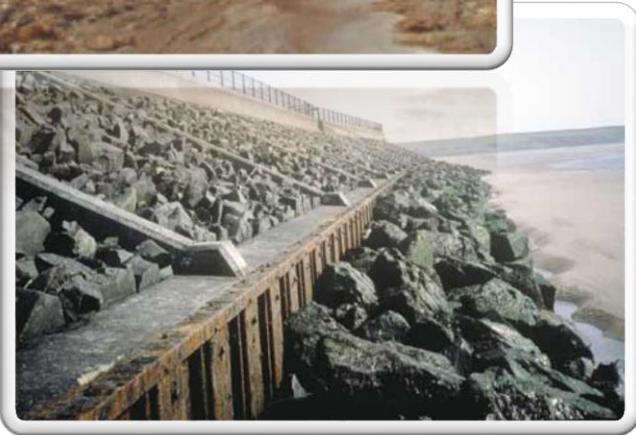


Indonesian side

- Transfer of knowledge
- Increase local content on technology
- Increase capacity of local expert
- Increase adoption capacity of technology experts
- Contribute to low carbon development strategy

Donor or Network side

- Create more suitable technology to local condition
- Create competitive technology price
- Create bigger technology market
- Carbon market
- Involving private sector
- Recognition



Thank You

widiatmini@yahoo.com